



YLI ELECTRONIC



# Wall Mount Door Holder

## Model:YD-604

### Basic Instruction

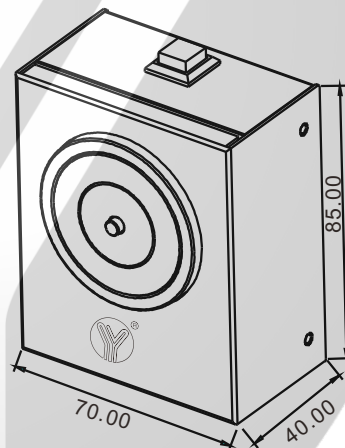
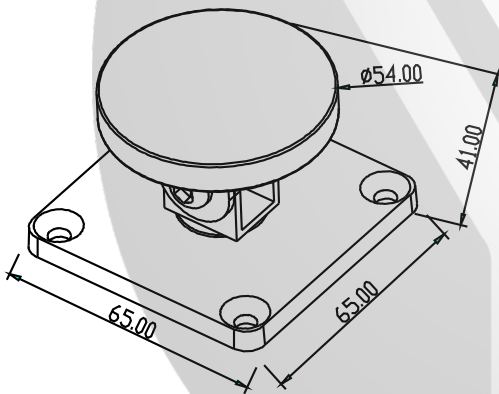
Dual Voltage Selectable(12VDC or 24VDC)  
Emergency Release Button/Test Button  
Wall Mounting Direction

Low Current Consumption  
Reliable Fail-Safe Mechanism  
Durable and Silence Operation

### Specifications

- Size: 70Lx40Wx85H(mm)
- Voltage:12VDC/24VDC(Adjustment)
- Current Draw: 70mA
- Optional: Manual door release button
- Surface Temp: +20
- Operating Temp:0 +55 (14-131F)
- Weight: 0.9kg
- Holding Force: 70kg(140Lbs)
- Suitable for: All Kinds of Single(Double) Smokeproof Doors
- Suitable Humidity: 0~95%
- Finishes for Shell: High Temperature Paint  
Environmental Protection Zinc
- Finishes for Armature: Chromium

### Dimension



### Installation

#### Remarks:

1. The default setting is 24VDC.
2. If user want to connect with 12VDC, operating as below:
  - (1) Pull those two jumpers out. It is showed 4 pins here.
  - (2) To set up 12VDC, insert one jumper on the position of 1 and 2, second jumper on the position of 3 and 4.

